



## Compressive Load Links

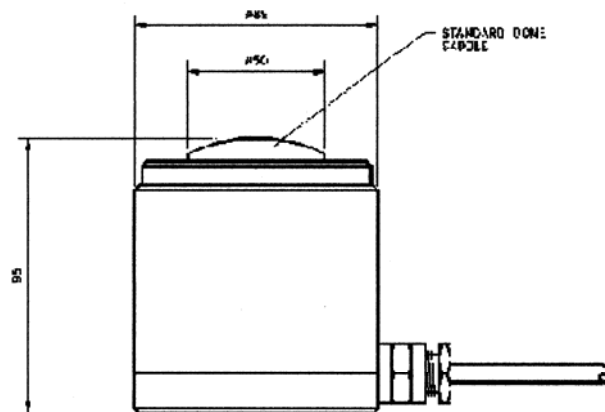
Manufacturer	DLM Ltd
--------------	---------

### **DYNAMIC LOAD MONITORING (UK) LTD**

Unit 3 Bridgers Farm, Nursling Street, Nursling, Southampton SO16 0YA

Tel: (023) 8074 1700 - Fax: (023) 8074 1701

### Compressive Loadcells SWL 10Te to 50Te



ACCURACY:	±1.0% of reading
PROOF TEST:	150% of SWL
WEIGHT:	2.5kg
MATERIAL:	alloy steel (EN24T)
SADDLE:	stainless steel (17-4PH) available as optional extra
TEMPERATURE:	operating temperature range is -10°C to +60°C
DISPLAY:	supplied with hand-held digital read-out with 10m signal cable

SPECIFICATION CHANGES: the company's policy is one of continual development and the company reserves the right to effect changes to the published specification without prior notice.